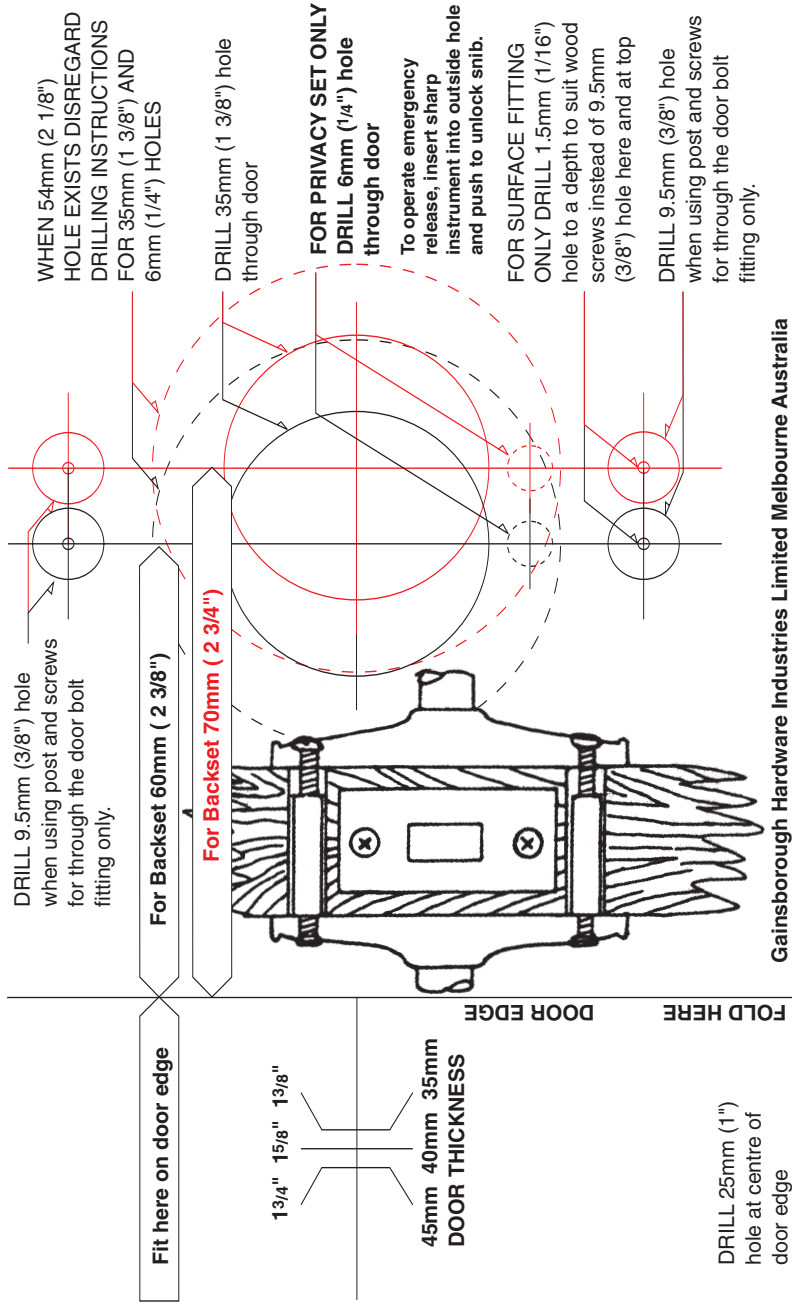


**NOTE:- CERTAIN MODELS ONLY
INCLUDE ADJUSTABLE LATCH**

ADJUSTABLE LATCH INSTRUCTIONS

To change backset from 60mm (2 3/8") to 70mm (2 3/4"), pull spindle cam in the direction away from faceplate. To reset to 60mm (2 3/8") backset, push spindle cam back to original position (towards faceplate).

**Installation for 70mm backset
shown in red**



SNIB MUST BE INSIDE ROOM. IF SNIB ASSEMBLY HAS BEEN FITTED TO THE OPPOSITE SIDE OF ASSEMBLY THEN CHANGE OVER AS FOLLOWS:-

STEP ONE
REMOVE SCREW AND SADDLE PLATE

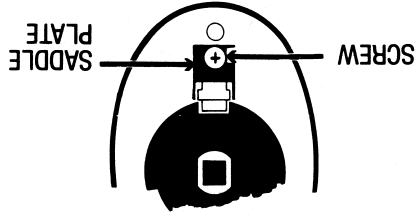


FIG ONE

STEP TWO
REMOVE SNIB LEVER BY PUSHING THROUGH HOLE

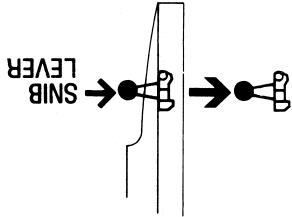


FIG TWO

STEP THREE
INSERT SNIB LEVER THROUGH HOLE IN OTHER BACK PLATE

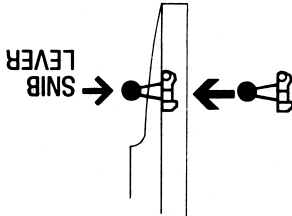


FIG THREE

STEP FOUR
PLACE SADDLE PLATE IN POSITION AND FASTEN WITH SELF-THREADING SCREW.

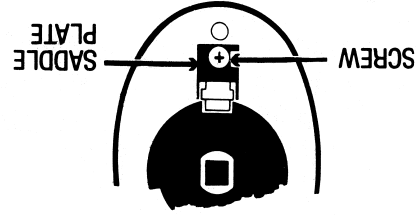


FIG FOUR

PAIT016 Rev.2