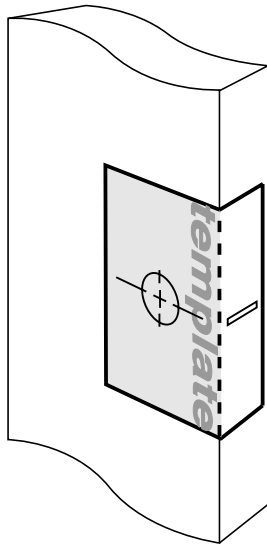


# Installation instructions for 396 Sliding Cavity Door Passage Set

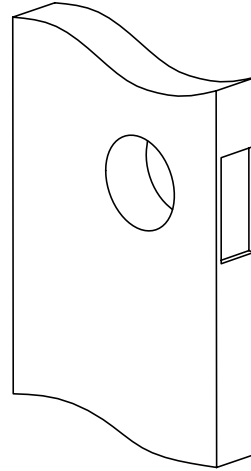
Please refer to drawing on reverse

## Step 1 Door Preparation

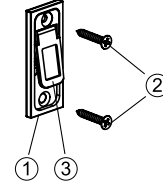


- Fold template where indicated.
- Position template on door edge at desired latch height.
- Firmly hold template and mark pull tab plate height and escutcheon hole centre at required backset.
- Measure door thickness and mark centre.
- At required backset drill pilot hole [suggested size 3mm (1/8")].
- Then enlarge hole to 54mm (2 1/8") as required, drilling from both sides of the door.

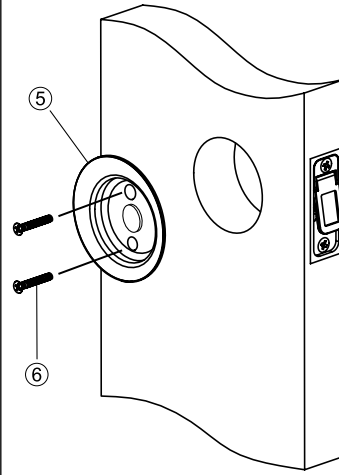
## Step 2 Pull Tab Plate Installation



- Mark and chisel latch faceplate ① to a recess of 4mm. Use faceplate as a template.
- Fasten with two screws ② provided. If pull tab ③ doesn't move freely unscrew and remove plate. Clear wood from behind the pull tab hinge.
- Refasten and check pull tab is free.



## Step 3 Final Assembly



- Assemble the external escutcheon ④ with posts for screws to the door.
- Assemble the internal escutcheon with screw holes to the door. ⑤
- Fasten escutcheons with screws ⑥ provided.

**NOTE: Carefully follow these instructions when installing. Do not overtighten screws. Use of power driver is not recommended.**



fit here on door edge

mark centre-line of pull tab plate

mark centre-line of pull tab plate

fit here on door edge

54mm (2 1/8") hole

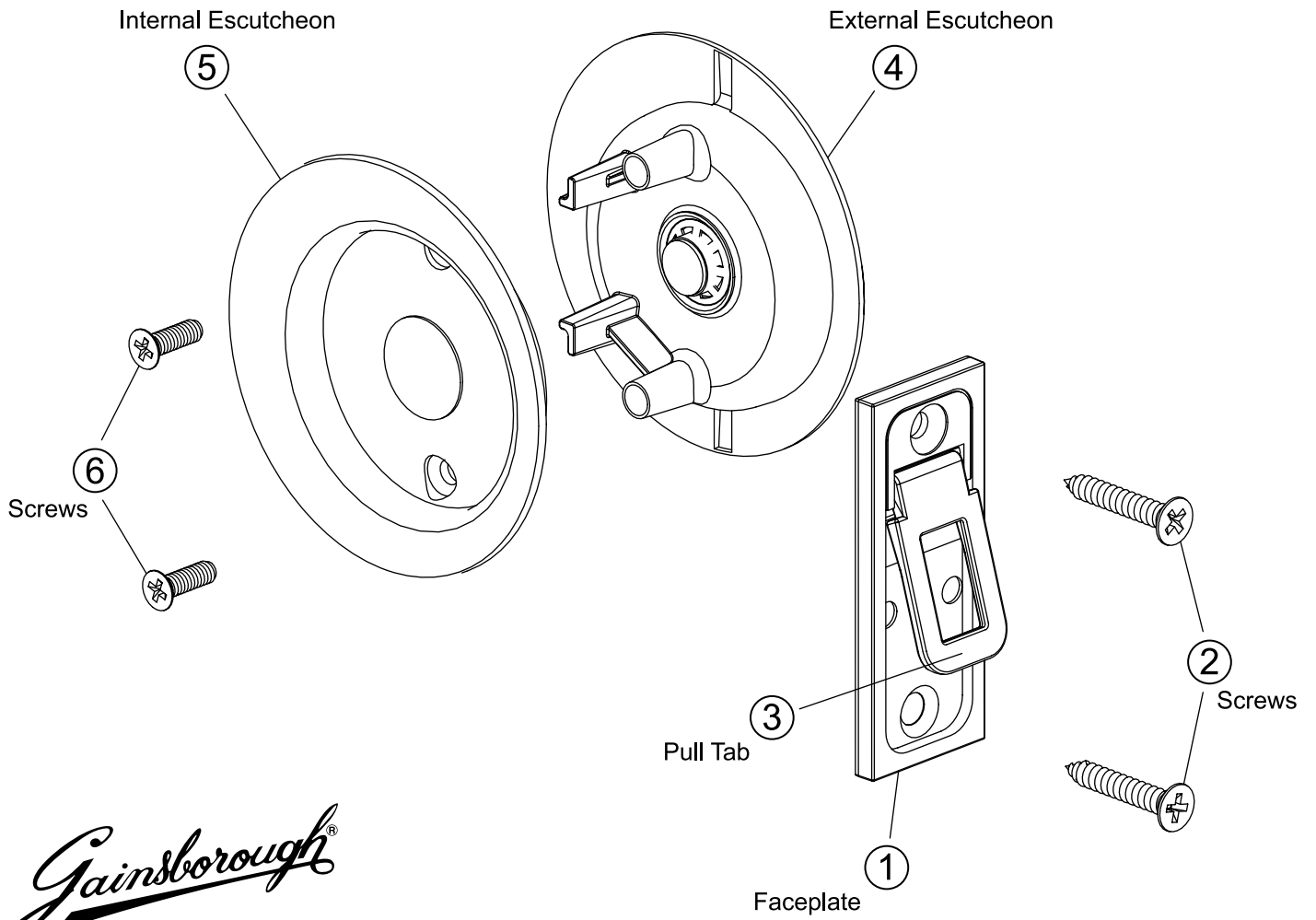
backset 60mm (2 3/8")

installation template for sliding cavity door passage set

**Gainsborough**<sup>®</sup>  
fine quality door furniture

[www.gainsboroughhardware.com.au](http://www.gainsboroughhardware.com.au)

# Installation instructions for 396 Sliding Cavity Door Passage Set



*Gainsborough*<sup>®</sup>  
fine quality door furniture