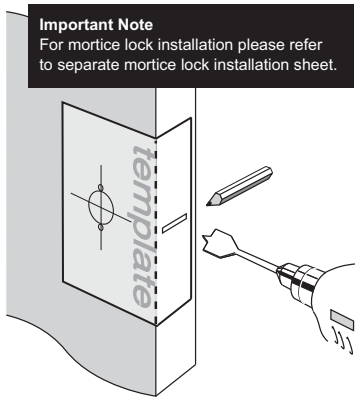


Installation Instructions for 96PS or 96PSI Privacy Sets on Round Rosettes; and 99PS or 99PSI Privacy Sets on Square Backplates

Step 1. Door Preparation

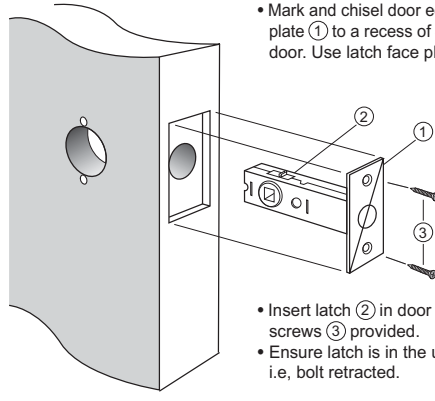
- Fold template where indicated.
- Position template on door edge at desired latch height.
- Firmly hold template and mark latch height on door edge and centre points of assembly fixing holes on door face at 60mm backset (refer template).
- Measure door thickness and mark centre.
- Drill 25mm (1") diameter latch hole through door edge.
- Note:** it is important to drill this hole squarely.
- Drill two 10mm (3/8") holes first and one 25mm (1") hole on door face with backset as marked on template.



Important Note
For mortice lock installation please refer to separate mortice lock installation sheet.

Step 2. Latch Installation

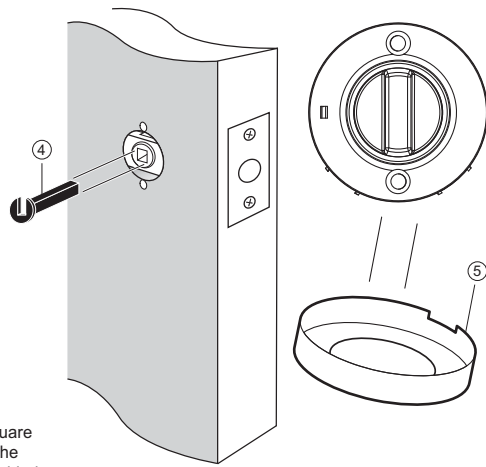
- Mark and chisel door edge for latch face plate ① to a recess of 4.5mm or until flush with door. Use latch face plate as a template.



- Insert latch ② in door and fasten with wood screws ③ provided.
- Ensure latch is in the unlocked position i.e. bolt retracted.

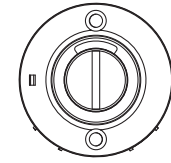
Step 3. Installation of Assemblies & Strike Plate

- Insert black adaptor ④ into drive hub of latch with the slot vertical as shown.
- Identify which side of the door the thumbturn assembly ⑨ and emergency assembly ⑩ will need to be located.
- Remove rosette covers ⑤ from both assemblies:
 - For 96PS or 96PSI – rosette covers ⑤ are round (refer illustration).
 - For 99PS or 99PSI – rosette covers ⑤ are square.
- Assemble blind screws ⑪ and brass posts ⑫ to the emergency assembly ⑩ as shown overleaf.
- Put the emergency assembly ⑩ into position on the door face with the coin slot ⑬ vertical and the window showing green. Ensure window is at the top.
- With the thumbturn vertical ⑭ (as shown overleaf) assemble the tail piece ⑮ into the black adaptor ④ and put the thumbturn assembly ⑨ on the door face with mounting screw holes top and bottom.
- Fasten the thumbturn assembly ⑨ to the emergency assembly ⑩ with screws ⑯ provided.
- Make sure thumbturn, emergency slot and latch all work together.
- Reapply relevant rosette covers ⑤ to both assemblies by pushing the covers over the rubber rings until flush with door:
 - For 96PS or 96PSI – ensure tab at bottom of each assembly matches cut-out in each round rosette cover.
 - For 99PS or 99PSI – ensure *grub-screw, which is already located in each square rosette cover, is on the lower face. Check the rosette covers are square with the door edge. Fasten each cover in place with a *grub-screw using allen key provided.
- Install strike plate ⑦ with screws ⑧ provided.



IMPORTANT NOTE

When installing the 96PSI or 99PSI, the thumbturn should be in the upright position as pictured to ensure that indicator is green when door is open and red when closed.



*Note: grub-screw is already located in the rosette cover.

NOTE: Carefully follow these instructions when installing. Screws to be tightened to a recommended 2.5Nm torque.



FOLD HERE

Mark centre-line of latch hole

Mark centre-line of latch hole

Fit here on door edge

Fit here on door edge

BACKSET 60mm (2 3/8")

10mm (3/8") hole

25mm (1") hole

10mm (3/8") hole

Note:

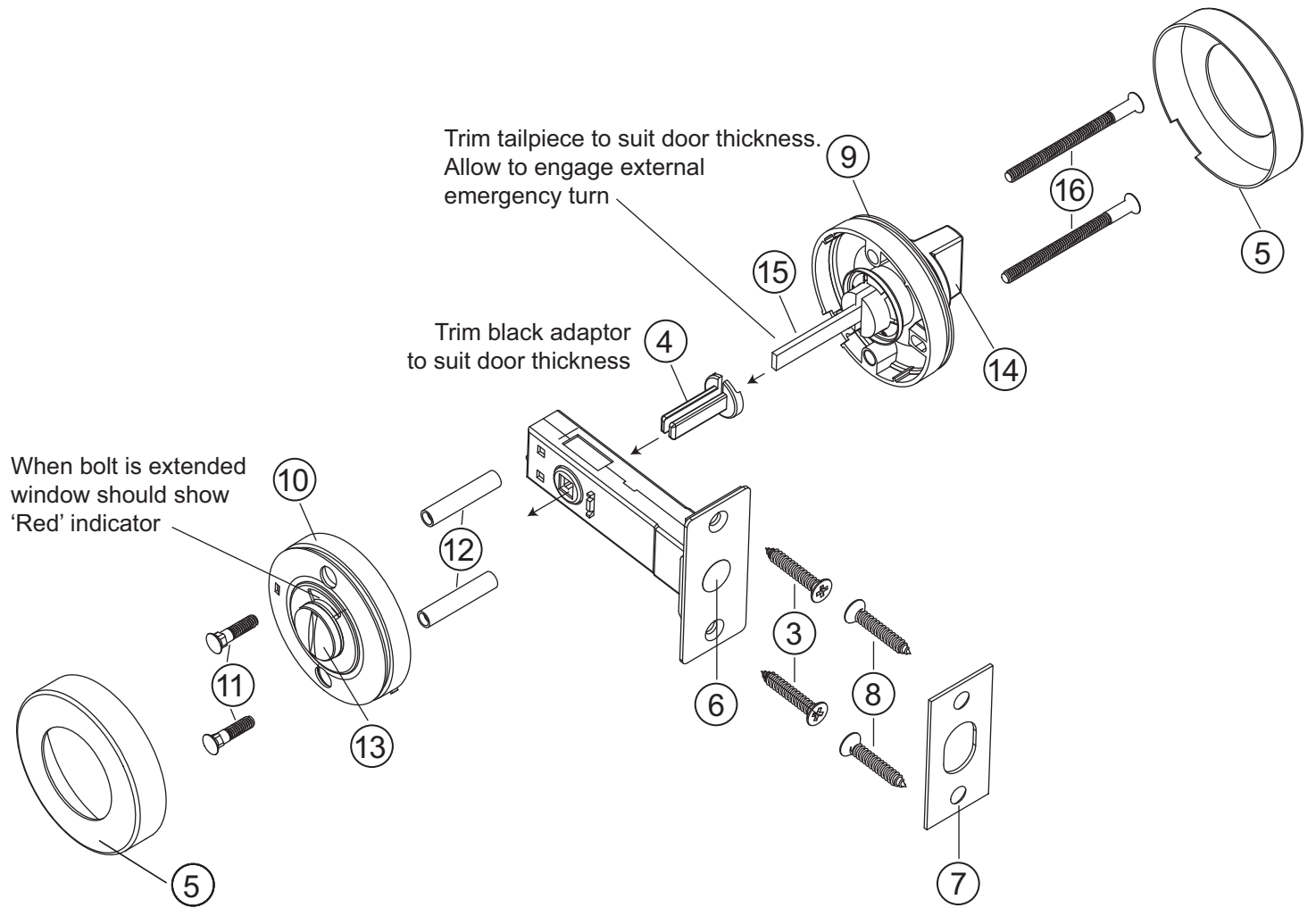
Drill 10mm holes before 25mm hole for ease of drilling.



Gainsborough Hardware Industries Limited,
Melbourne, Australia. A.B.N. 25 004 792 269
www.gainsboroughhardware.com.au

Installation template for
Gainsborough 96PS, 96PSI,
99PS and 99PSI privacy sets

Installation Instructions for 96PS or 96PSI Privacy Sets on Round Rosettes; and 99PS or 99PSI Privacy Sets on Square Backplates



Gainsborough[®]
fine quality door hardware