

Instructions for 9500 series lock or passage furniture on long plate.

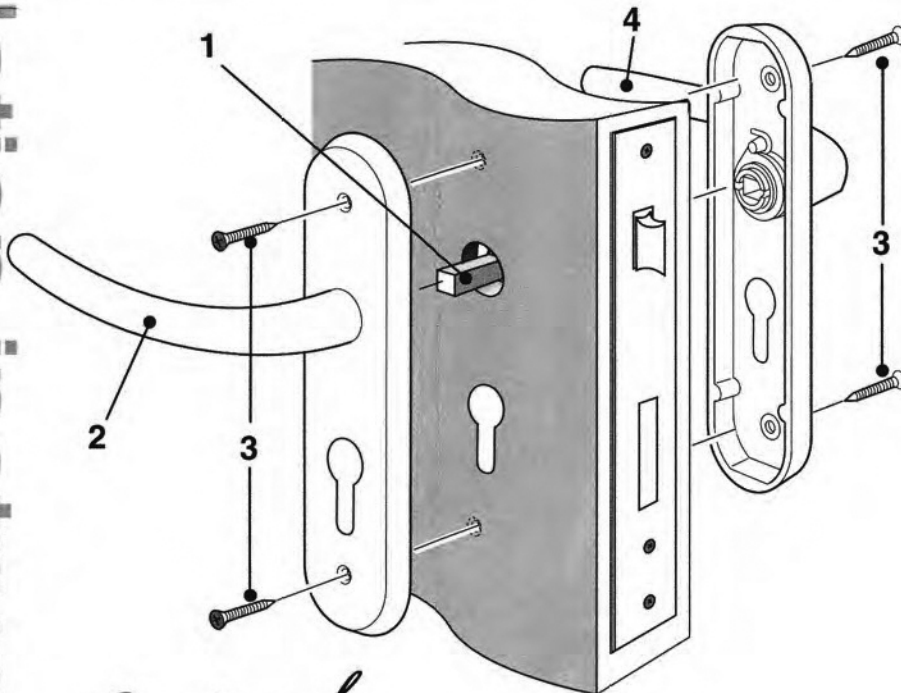
These instructions can be used for: ***9500E series** lock furniture (with keyhole) – recommended to use in conjunction with the Gainsborough '755' series mortice lock (refer separate installation instructions printed on the above '755' series mortice lock box) or ***9500P series** passage furniture (without keyhole) – recommended to use in conjunction with the Gainsborough '460' series dual sprung tubular latch. The **9500P** series can also be installed as a 'dummy set' for double entry doors, where no latch would be required.

The following instructions illustrate installation of **9500E** series lock furniture with mortice lock. (The same steps would apply for the **9500P** series

passage furniture, installed with a tubular latch or installed as a dummy set for double entry doors, where no latch would be required).

Installation instructions:

- Insert square drive spindle (1) through lock or latch.
- Identify which side of the door each lever assembly will need to be located in order to ensure both levers will move in a downward motion once installed.
- Place one lever assembly (2) on to the square drive spindle.
- Fasten wood screws (3) into position at top and bottom of plate.
- Hold other lever assembly (4) into position, locating it on to the other end of spindle.
- Fasten wood screws (3) into position at top and bottom of plate.



Gainsborough

Gainsborough Hardware Industries Ltd
ACN 004 792 269
190 Whitehorse Road,
Blackburn, Victoria 3130
AT017

NOTE: Carefully follow these instructions when installing. Screws to be tightened to a recommended 2.5Nm torque.