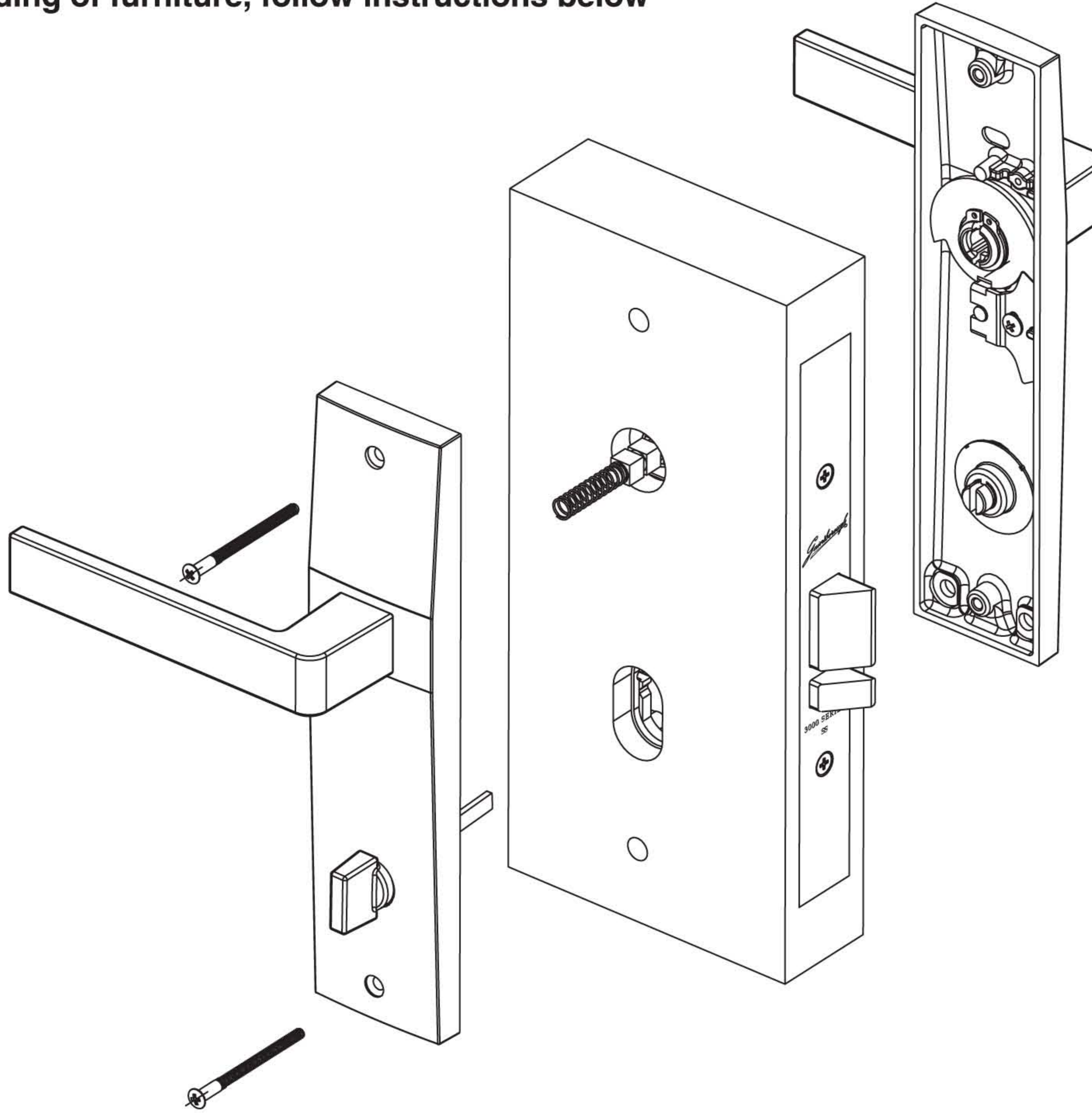


7000 Series Door Furniture suits 3000 Series Mortice Locks & Latches

Installation Instructions

To reverse handing of furniture, follow instructions below



1. Locate screw and handing plate, remove both from furniture

2. Reverse the lever by rotating 180 degrees in opposite direction

3. Replace the handing plate and screw and fix to furniture in new position as shown

