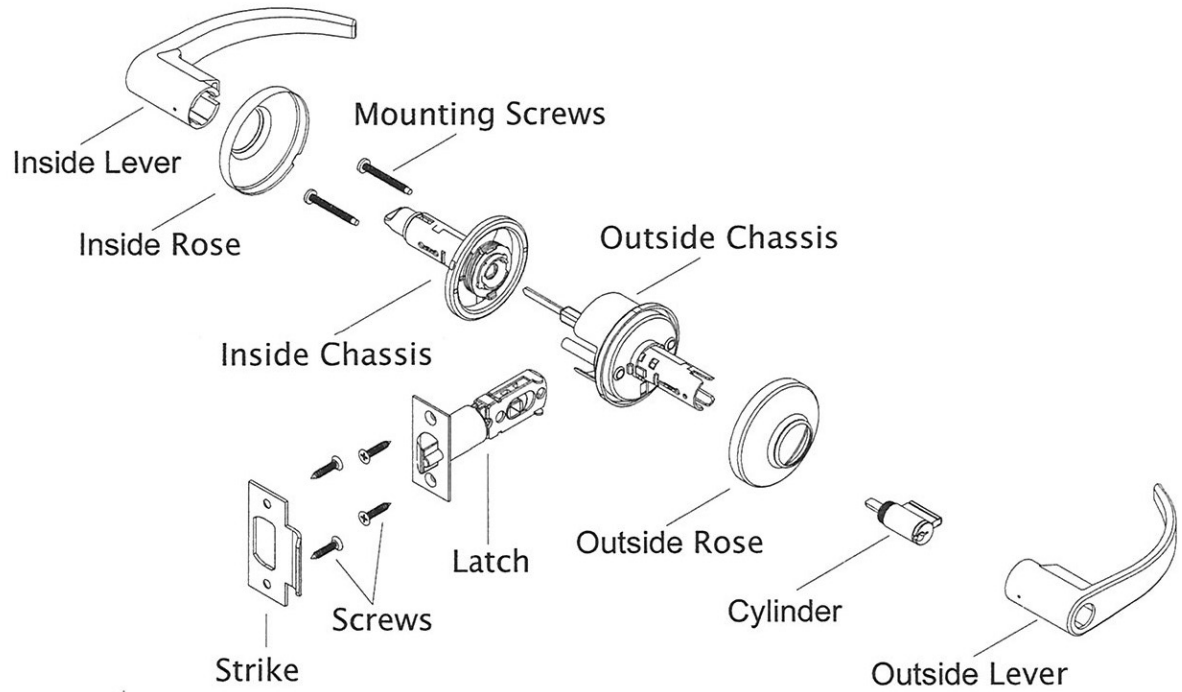


Guinborough® 4200 SERIES LEVERSET

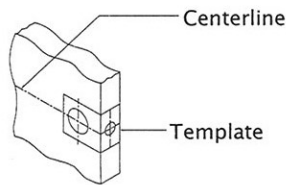
Installation Instructions



1. Door and Preparation

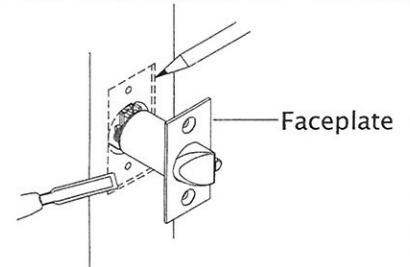
A. Mark Centerline and Drill Points

- Stand so door swings towards you.
- Fold template on appropriate bevel line. Select backset. Mark drill points.
- Transfer template to other side of door. Fold template on appropriate bevel line. Select backset. Mark drill points.



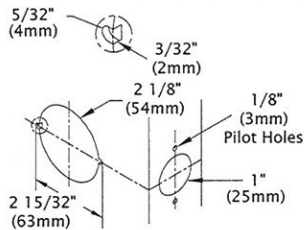
C. Mortise Cutout for Latch

Using faceplate as a pattern, mortise cutout for latch. (Faceplate should fit flush with door.)



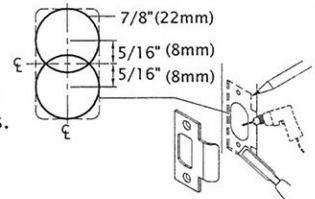
B. Drill Mounting Holes

- Drill holes in door face from both sides of door to avoid splintering wood.
- Chisel out notches on both sides of door.

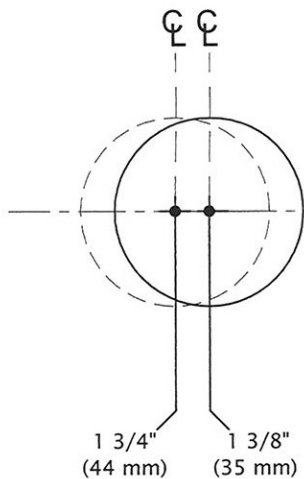


D. Prepare Door Jamb

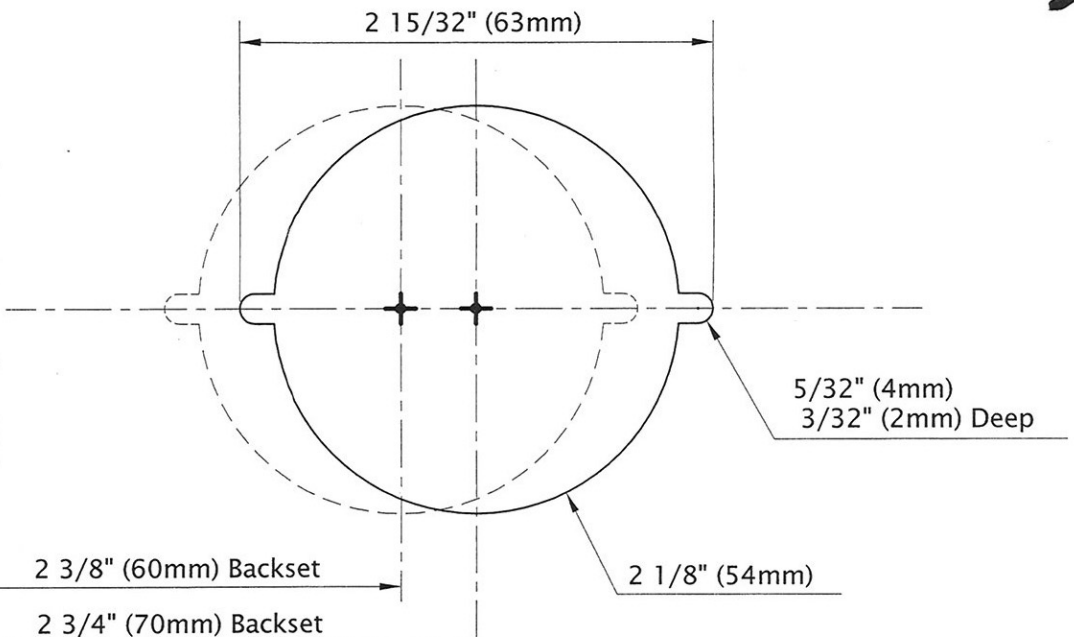
- Mark vertical line and centerline on door jamb exactly opposite center of latch hole.
- Drill two (2) 7/8" (22mm) hole, 5/16" (8mm) above and below centerline. Clear out corners.
- Use strike as pattern to mortise cutout. Strike should fit flush.



Drill 1" (25mm) Dia. hole on door edge center line.



FOLD ON DOOR EDGE



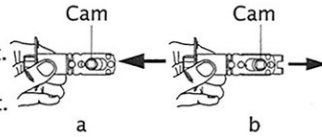
PLACE TEMPLATE ON HIGH EDGE OF BEVEL



2. Lock Installation

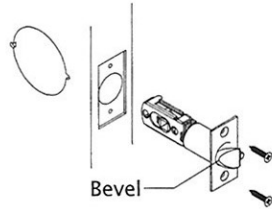
A. Adjust Backset

- Push Cam forward for 2 3/8" (60mm) backset.
- Pull Cam rearward for 2 3/4" (70mm) backset.



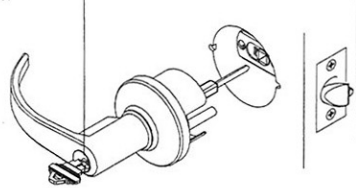
B. Install Latch

- Install latch with beveled side toward door jamb.
- Secure with two (2) latch screws.



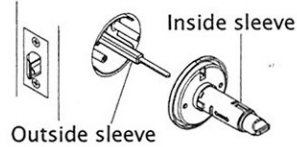
C. Install Outside Chassis and Lever

See "Keyed Levers" section
Slide assembly into cross bore as shown.



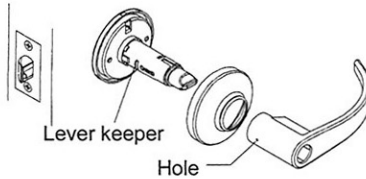
D. Install Chassis

- Slide inside sleeve into outside sleeve assembly as shown.
- Secure with two (2) mounting screws.



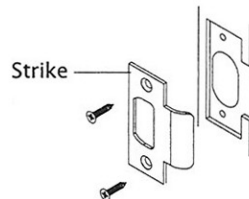
E. Install Inside Rose and Lever

- Sleeve rose onto spindle.
- Sleeve lever onto spindle until hole engages with lever keeper.



F. Install Strike

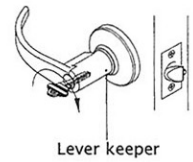
- Install strike and secure with two screws.



3. Removing or Installing Keyed Levers

A. Removing Cylinders and Levers

- If cylinder is installed, rotate key to unlocked position.
- Depress lever keeper and pull lever straight off sleeve.

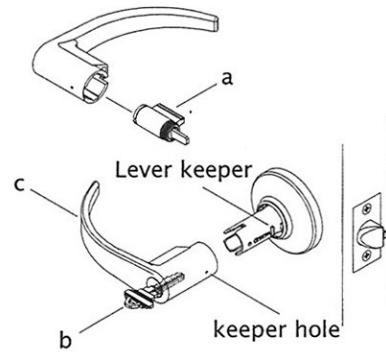


B. Installing Keyed Levers and Cylinders

For STANDARD CYLINDERS :

- Insert cylinder into lever.
- Insert key into cylinder and rotate to unlocked position.
- Slide lever straight onto sleeve.

NOTE : Check function before closing door.

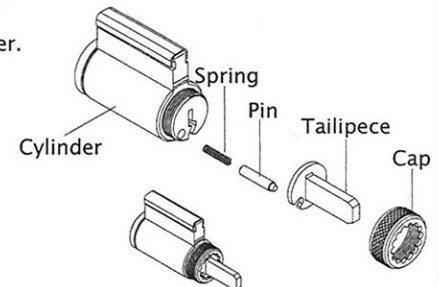


4. Tailpiece Installation

Tailpiece Installation

- Insert spring and pin into cylinder.
- Place tailpiece into cap.
- Thread cap onto cylinder.

IMPORTANT :
If key does not come out of cylinder easily, cap is too loose.
If key does not turn smoothly in cylinder, cap is too tight.



PATENT PENDING

