

# Gainsborough 2000 SERIES

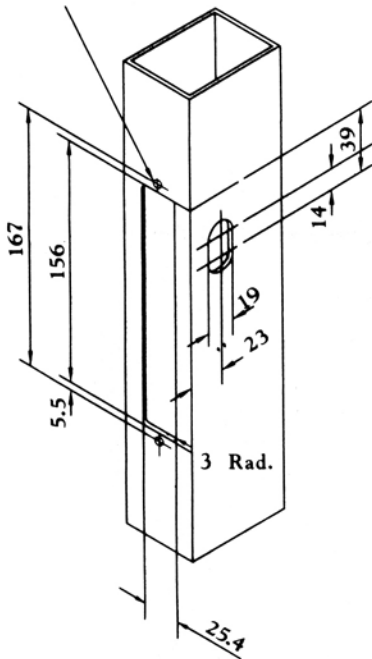
## NARROW STILE MORTICE LOCKS

### FIT ACCESSORIES

#### PREPARE DOOR

Cut opening in door to suit cover plate and drill holes to suit function required

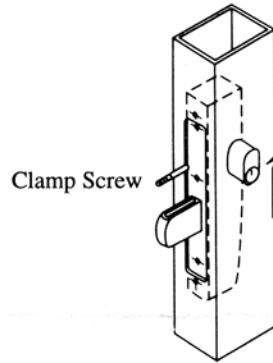
Drill 2 holes  
4mm Dia. & C'sunk  
6mm Dia. x 90° Incl.



**CYLINDER  
or  
TURN KNOB**

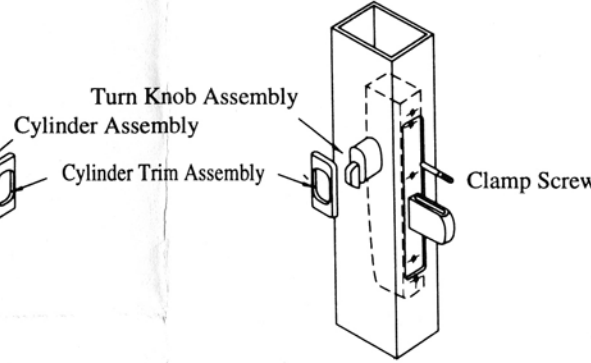
#### CYLINDER ASSEMBLY

Attach cylinder assembly and secure with clamp screw supplied. Ensure clamp screw is fully inserted to firmly anchor cylinder assembly. Fit cylinder trim assembly.



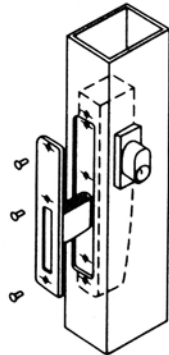
#### TURN KNOB ASSEMBLY

Attach turn knob assembly and secure with clamp screw supplied. Ensure clamp screw is fully inserted to firmly anchor turn knob assembly. Fit cylinder trim assembly.



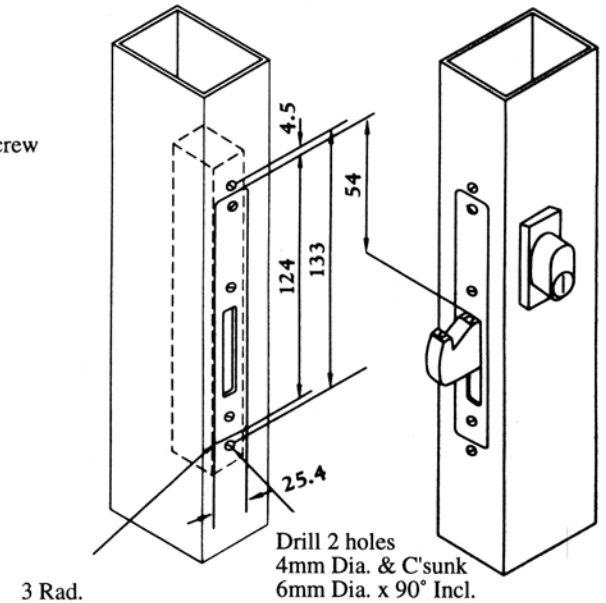
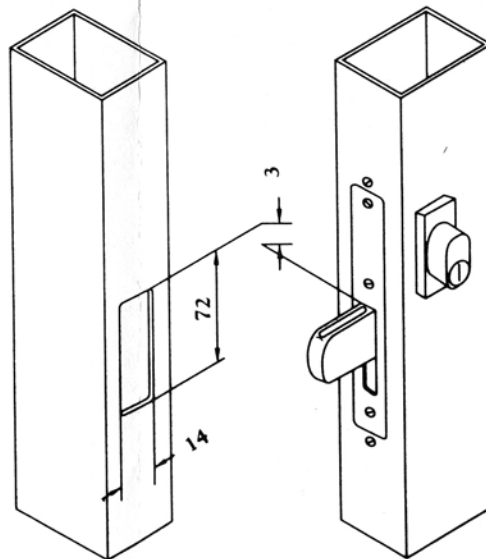
#### COVER PLATE

Attach cover plate to lock with 3 C'sunk head screws (5mm long) supplied



#### CUT BOLT HOLE

Cut a bolt hole in door jamb as shown.



#### FIT SLIDING DOOR STRIKE

Cut opening in door jamb to suit strike plate and drill holes as shown. Fit strike assembly into door jamb and secure with 2 C'sunk head screws (6mm long) supplied and attach strike cover.