

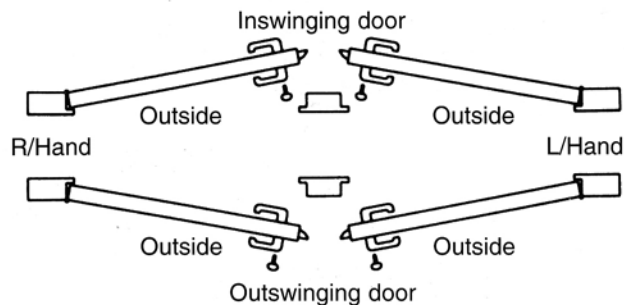
Gainsborough 1000 SERIES MORTICE LOCK

INSTALLATION INSTRUCTIONS

NOTE: Please follow these instructions carefully to avoid installation problems.

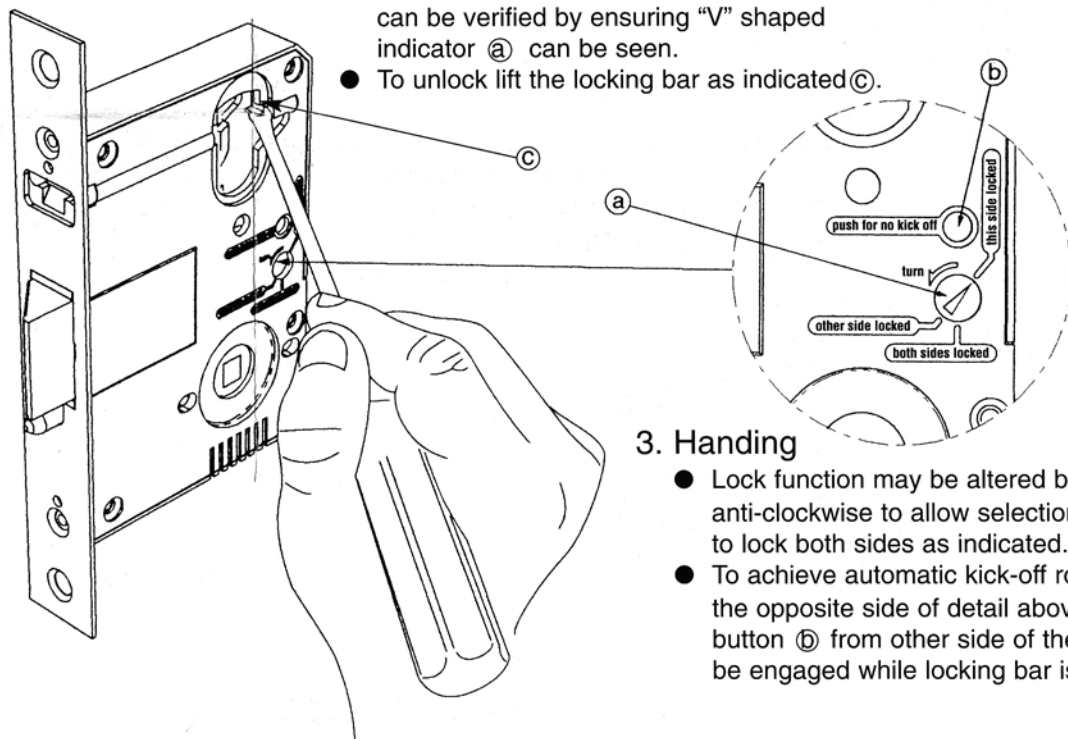
1. Mortice instructions

- Use template to mark out mortice on door edge and also the required holes on the door face to suit lockset function.
- Drill and cut out mortice for lock. Fit lock in mortice and ease mortice where necessary.
- Drill holes on door face for turn button or cylinder if required.
- Insert lock into mortice and scribe around face plate.
- Cut out face plate mortice ensuring that the face is flush with the door edge.
- **Clear out mortice of all wood shavings.**
- Before installing lock into door, refer instructions for fitting turn adaptor if required.
- Replace lock in mortice and attach with wood screws supplied.



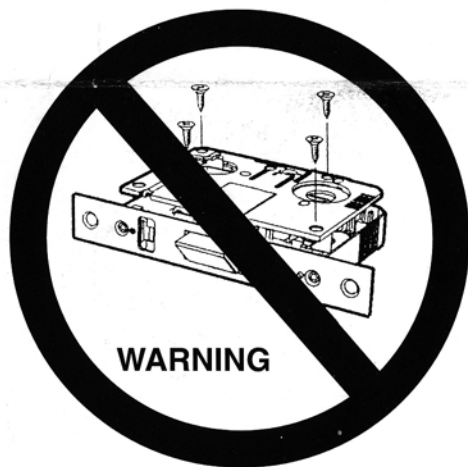
2. Lock status

- Ensure lock is in the unlocked position. This can be verified by ensuring "V" shaped indicator **a** can be seen.
- To unlock lift the locking bar as indicated **c**.



3. Handing

- Lock function may be altered by turning selector **a** anti-clockwise to allow selection of locked side or to lock both sides as indicated.
- To achieve automatic kick-off rotate the case so the opposite side of detail above is shown and press button **b** from other side of the case (kick-off must be engaged while locking bar is in down position).



WARNING

Gainsborough mortice locks are fully field reversible. Opening the case is not necessary and voids the warranty!

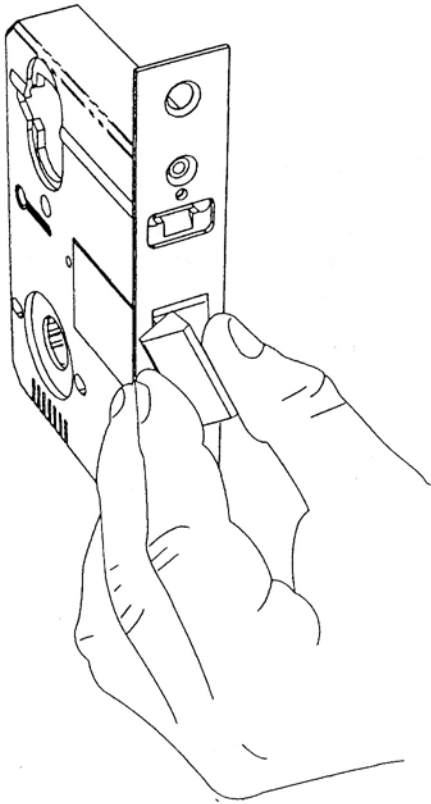
Gainsborough 1000 SERIES MORTICE LOCK

INSTALLATION INSTRUCTIONS

NOTE: Please follow these instructions carefully to avoid installation problems.

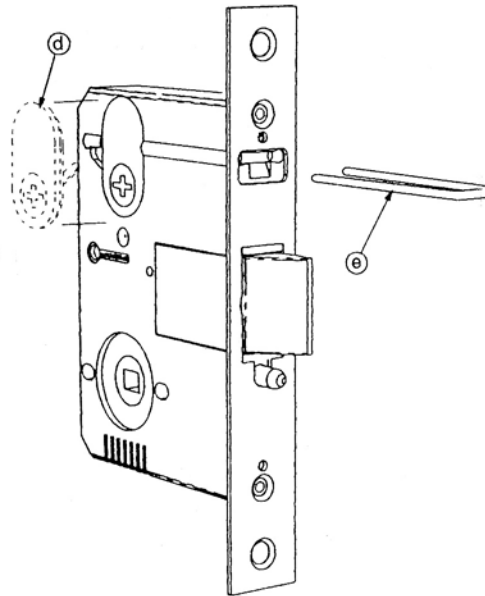
4. Latchbolt handing

- Ensure face plate has been removed.
- Rotate latchbolt 180° as shown.



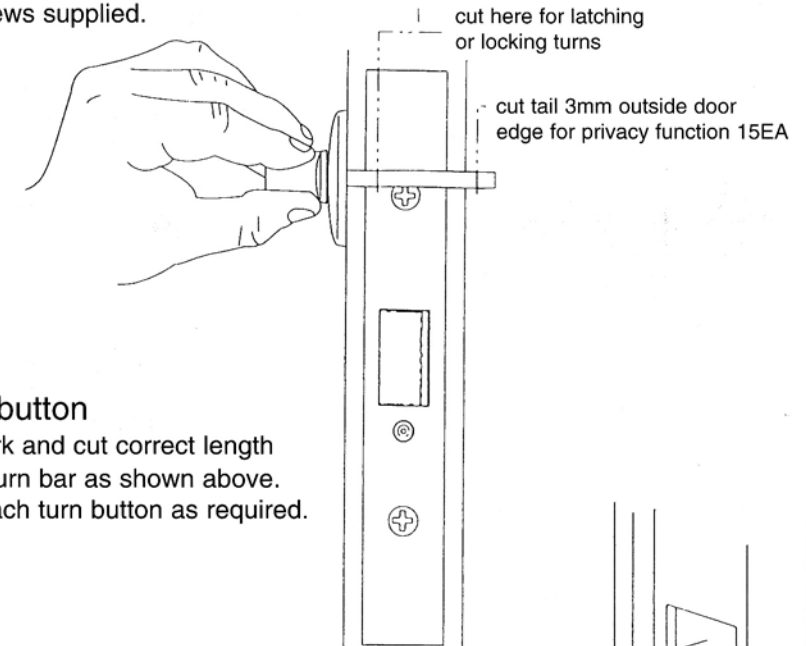
5. Fitting turn snib adaptor.

- Assemble turn snib adaptor ① in lock case as shown below ensuring the turn snib cam engages locking bar.
- Clamp firmly with U-pin ② provided. Long leg of U-pin through turn snib adaptor.



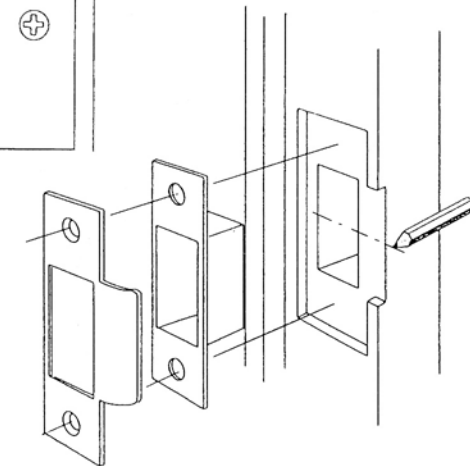
6. Mounting strike

- Mark height of striker plate on door frame as shown below.
- Mortice out to suit the universal strike and strike box.
Note: Strike plate must be flush with the edge of the door frame.
- Screw to door frame with wood screws supplied.



7. Turn button

- Mark and cut correct length of turn bar as shown above.
- Attach turn button as required.





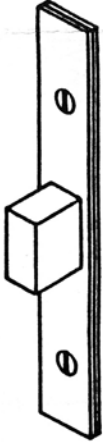
1000 SERIES MORTICE DEADBOLTS & SLIDING DEADBOLTS

Architectural HARDWARE

INSTALLATION INSTRUCTIONS

All 1000 series locks and latches are installed using the basic instructions. If cylinders or turns etc are not to be fitted, merely ignore the instructions referring to the feature not required,

HINGED DOOR DEADBOLT



SLIDING DOOR DEADBOLT

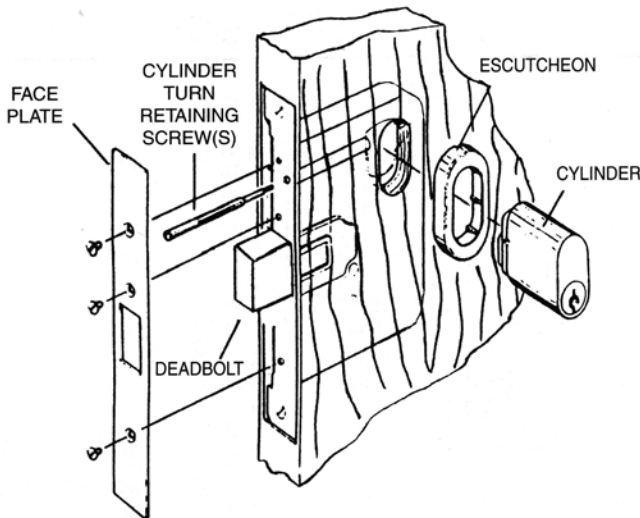


1. MORTICE INSTRUCTIONS

Use template to mark out mortice on edge of door and also the required holes for turn or cylinder on side of door. Drill and cut out 20mm wide mortice for lock. Ensure lock is free from obstructions. Drill holes in side of door for turn or cylinder if required. **NOTE:** Do not drill right through door if cylinder or turn only required on one side. Fit lock into mortice and with face plate fitted. Mark around edge for mortice. Cut out face plate mortice ensuring that the face is flush with edge of door. Before installing into door, refer instruction for fitting turn insert if required. Remove face plate and screw case into door with screws supplied. Fit face plate to case with metal thread screws supplied.

2. FOR LOCKS WITH CYLINDERS

Assemble cylinder into lock and secure with retaining screws supplied. Fit cylinder rose and insert over cylinder body.

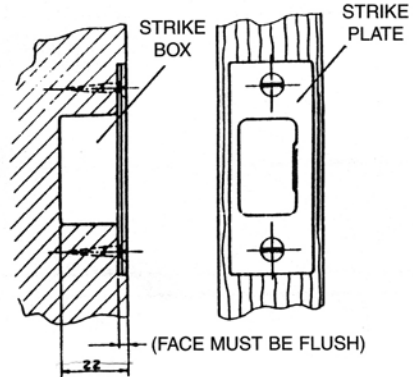


3. FOR LOCKS WITH TURN

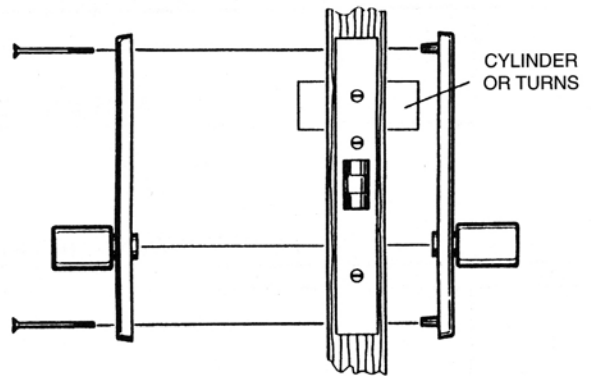
Fit turn assembly into case and secure with retaining screws supplied. Cut turn bar to correct length. Screw turn assembly onto door with turn in vertical position. Check for correct movement.

4. STRIKE INSTALLATION

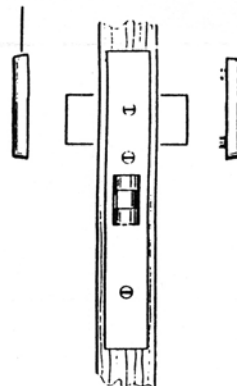
Mark out door frame for strike. Mortice out to suit strike and strike box. Face of strike must be flush with edge of door frame. Gap between face plate of lock and strike plate should be no less than 2.5mm and no more than 4mm.



5. INSTALL FURNITURE AS REQUIRED



ESCUTCHEONS



6. AFTER INSTALLATION, CHECK LOCK FOR CORRECT FUNCTION AND EASE OF OPERATION.

NOTE: DO NOT DRILL HOLES RIGHT THROUGH DOOR FROM ONE SIDE

