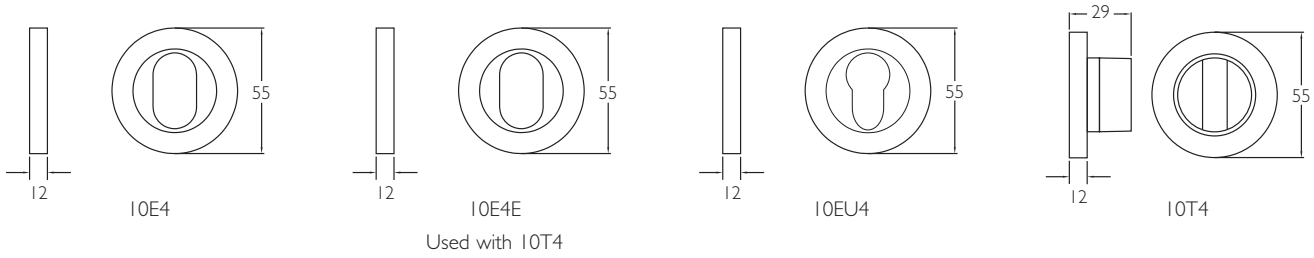
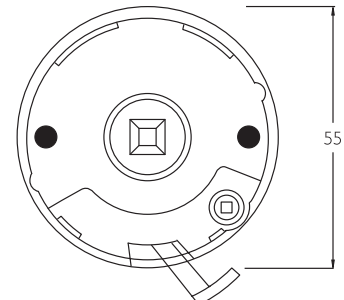
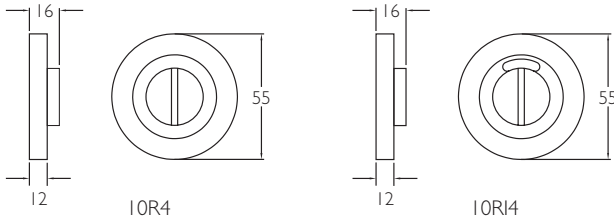


### Limiting Dimensions



Used with 10T4

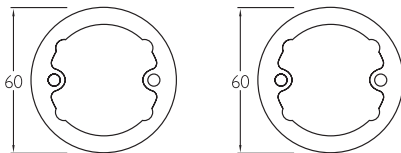
Through fixing for:  
 - Double cylinder functions  
 - Single cylinder and turnbutton functions



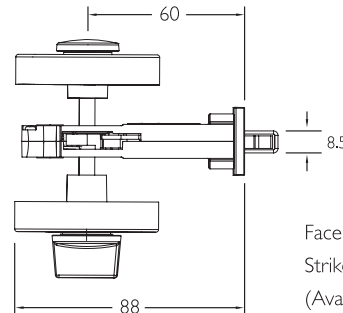
**9609**  
Privacy Adaptor

Note: The 9609 Privacy adaptor cannot be used with the Gainsborough 9000, 9100, 9300 Series leversets, the 9400 (Brass) Series leversets or the 300 Series decorative door furniture.

### KT9400SR Spacer Rings



**KT9400SR**  
Spacer Rings  
(Set of 2)

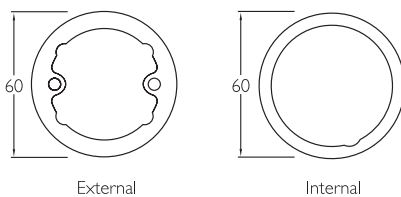


Faceplate dimensions: 26 x 66  
 Strike plate dimensions: 29 x 70  
 (Available with 60mm backset only)

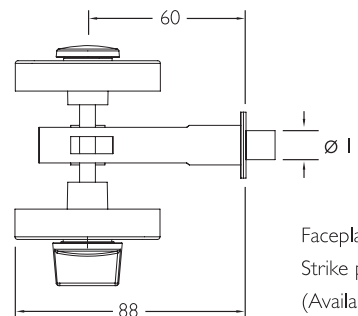
**96SIB**  
Sliding Indicator Bolt Set

\*Note: SSF Stainless Steel Finish is a plated finish to closely match Stainless Steel.  
 Note: Spacer Ring can be seen outside diameter of 9400 and 9600 rose.

### KT9600SR Spacer Rings



**KT9600SR**  
Spacer Rings  
(Set of 2)



Faceplate dimensions: 25 x 58  
 Strike plate dimensions: 25 x 52  
 (Available with 60mm backset only)

**96PS**  
**96PSI**  
Privacy Set

\*Note: SSF Stainless Steel Finish is a plated finish to closely match Stainless Steel.  
 Note: Spacer Ring can be seen outside diameter of 9609/9600 rose or 9609/9400 Stainless Steel rose.

\*Note: Stainless steel is only applicable to 96PS Privacy Set (not 96PSI Privacy Set with indicator). Faceplate and Strike Plate for the 96PS Stainless Steel version are finished in Satin Chrome.