

Security and Patio Door Deadlocks



Gainsborough[®]

Home

www.gainsboroughhardware.com.au

Call **13 14 18** for more information

Security and Patio Door



Exciting new range of Security and Patio Door Deadlocks and Pneumatic Door Closer from Gainsborough

Gainsborough now offers a series of security and patio door products, to add to its extensive range of quality door hardware. Choose from Hinged and Sliding Security Door Deadlocks, Single and Double Cylinder Sliding Patio Door Deadlocks and a Pneumatic Door Closer for hinged security doors.

The range features durable, tarnish resistant powder coated colours to coordinate with today's door finishes. The deadlocks shown can be keyed to other Gainsborough locks, offering the convenience of one key to operate all Gainsborough locks throughout the home or building.

Designed and manufactured in Australia (some products with imported cylinders and keys), Gainsborough Security Deadlocks fit industry standard cut-outs and include easy 'Do-It-Yourself' installation instructions.

Hinged Security Door Deadlock HD7

Gainsborough's Hinged Security Door Deadlock suits hinged security/screen doors. It latches on closing and can be unlatched by levers from either side.

It can also be conveniently locked with snib from inside (key overrides snib) and can be deadlocked or unlocked with key from both sides.

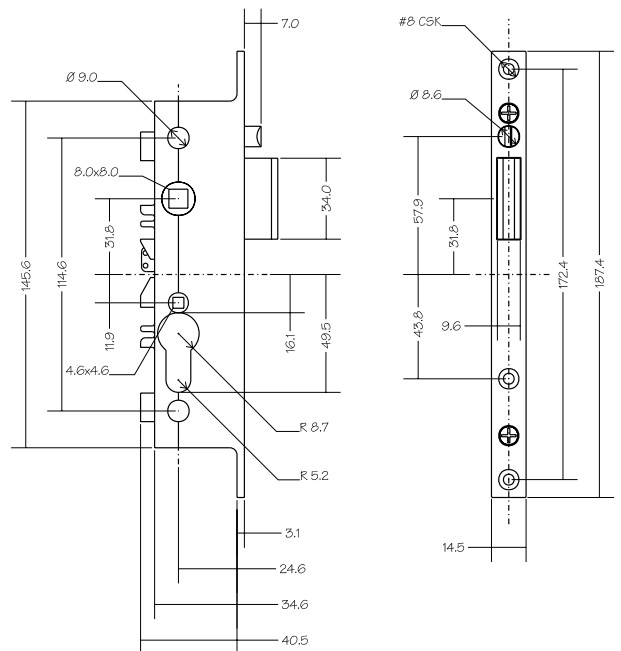
Features:

- Replaces common locks and can be keyed to other Gainsborough locks
- Durable powder coated finishes
- Convenient snib locking from inside (key overrides snib)
- Can be deadlocked or unlocked with key from both sides
- Solid, wide bolt to resist forced entry
- Gainsborough brass pin cylinder and brass keys
- Triggered deadbolt on door closure
- Reversible handles to suit left or right-handed doors



Hinged Security Door Deadlock in White HD7 WHS

Fitting Dimensions



Available in the following colours:



Deadlock Range from Gainsborough

Sliding Patio Door Deadlocks

Gainsborough's Sliding Patio Door Deadlocks are designed and manufactured in Australia. Suitable for most timber and aluminium sliding patio doors, Gainsborough's Sliding Patio Door Deadlocks feature modern, ergonomic styling and robust design and are backed by a 5 year tarnish resistant and 10 year mechanical guarantee.



Single Cylinder Sliding Patio Door Deadlock YR4050

Gainsborough's Single Cylinder Patio Door Deadlock can be locked with snib from the inside (key overrides snib) and locked/unlocked with key from the outside. Deadlocking is activated by additional turn of the key from the outside. Gainsborough's Single Cylinder Deadlock can be upgraded to include key locking from the inside.



Single Cylinder Deadlock in Primrose YR4050 PRS



The beaks extend by turning snib or operating key, whilst the door is in the closed position.

In normal installation, the beaks hook into catch plate assembly on door frame for secure locking.

Double Cylinder Deadlock in Black YR4550 BLS

Double Cylinder Sliding Patio Door Deadlock YR4550

Gainsborough's Double Cylinder Patio Door Deadlock can be locked with snib from the inside (key overrides snib) and locked/unlocked with key from the outside or inside. Deadlocking is activated by additional turn of key from the outside or inside.

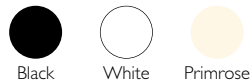


Double Cylinder Sliding Patio Door Deadlock in Primrose YR4550 PRS

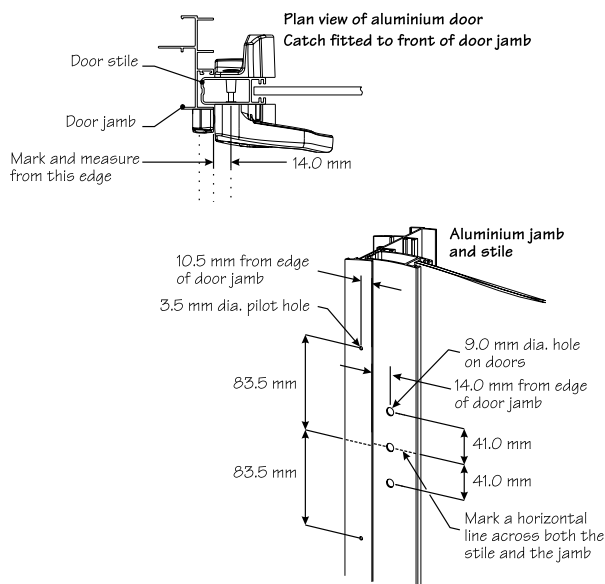
Features:

- Designed for most sliding aluminium or timber doors
- Can be keyed to other Gainsborough locks
- 5 year tarnish resistant and 10 year mechanical guarantee
- Durable powder coated finishes
- Replaces common patio door locks
- Convenient snib locking from inside (key overrides snib)
- Can be locked or unlocked with key from outside (single cylinder) or both sides (double cylinder)
- Deadlocking is activated by additional turn of key from outside (single cylinder) or both sides (double cylinder)
- Anti-lift twin beaks mounted on steel shafts
- Can only be locked in the closed position protecting beaks and catch plate
- Cylinder offset for easy key operation
- Adjustable catch plate
- Gainsborough brass pin cylinder(s) and brass keys
- Single cylinder version can be upgraded to include key locking from inside
- Non-handed to suit left or right-handed doors
- Modern styled interior handle
- Ergonomically designed exterior pull

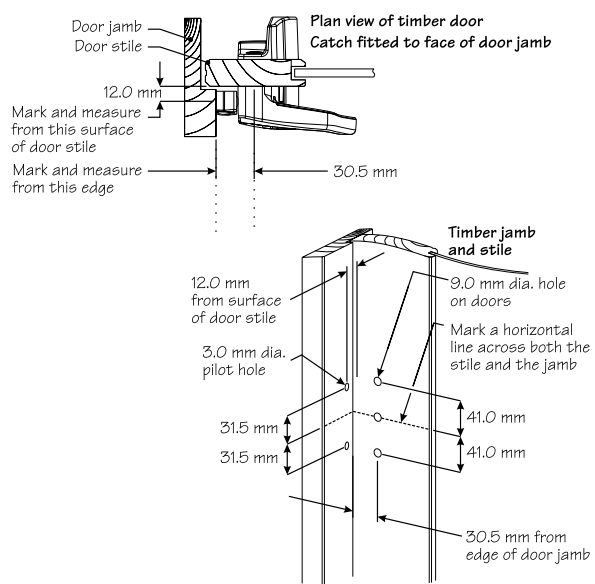
Available in the following colours:



Preparation for Aluminium Doors



Preparation for Timber Doors



Deadlocks



Sliding Security Door Deadlock SD7

Gainsborough's Sliding Security Door Deadlock suits security sliding doors. The SD7 offers the benefit of latching on closing, and can also be unlatched by levers from either side. It also conveniently locks with snib from inside (key overrides snib) and can be deadlocked or unlocked with key from both sides.

Features:

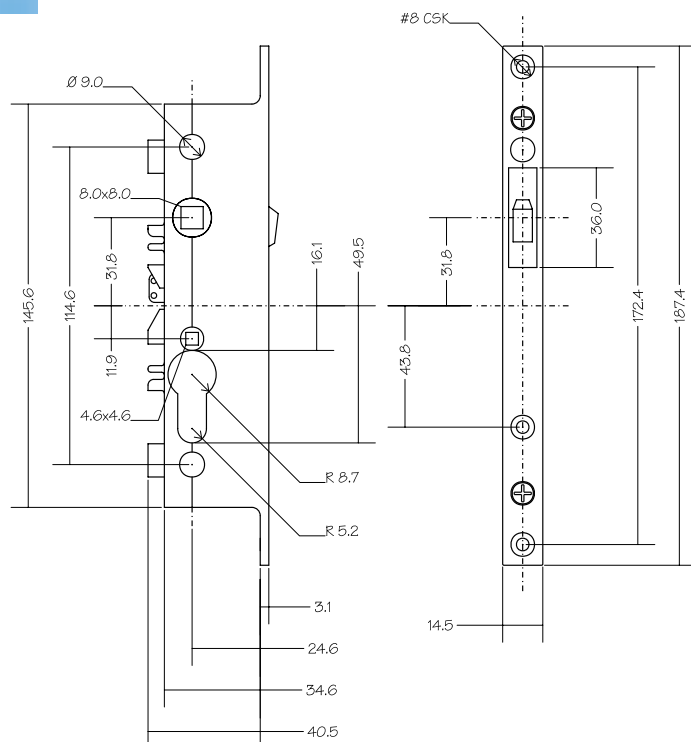
- Replaces common locks and can be keyed to other Gainsborough locks
- Durable powder coated finishes
- Convenient snib locking from inside (key overrides snib)
- Can be deadlocked or unlocked with key from both sides
- Recessed, hooked bolt to resist forced entry
- An interlocking pin in strike plate resists the door from being lifted and forced open
- Gainsborough brass pin cylinder and brass keys
- Latching engagement on closing
- Ergonomically designed lever action

Available in the following colours:



Sliding Security Door Deadlock in Black SD7 BLS

Fitting Dimensions





Pneumatic Door Closers shown
in White, Primrose & Black
(Brown and Silver also available)

Pneumatic Door Closer DCI

Gainsborough's Pneumatic Door Closer is designed for hinged screen and light timber doors. Manufactured with a sturdy, all metal construction, the Door Closer has speed adjustment, a hold open facility and easy 'Do-It-Yourself' installation.

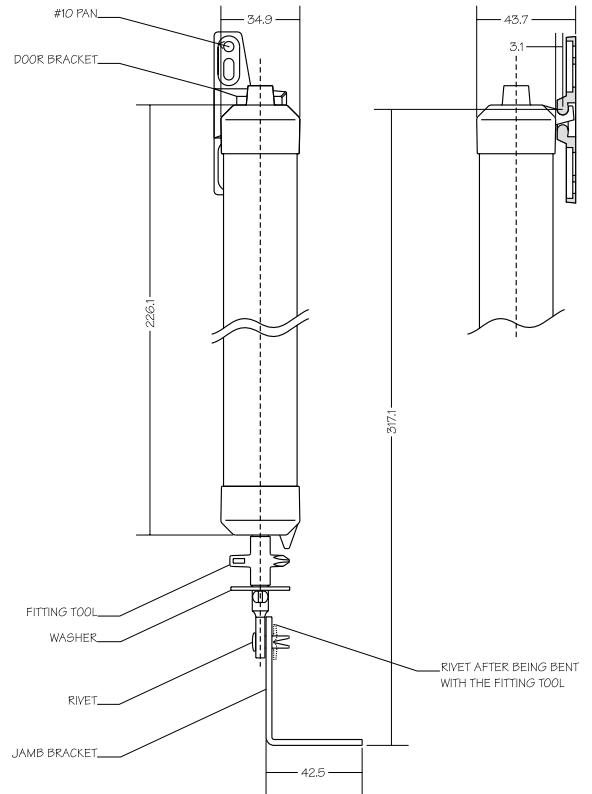
Features:

- Designed for hinged security/screen doors
- Durable powder coated finishes: Black, White, Primrose, Brown and Silver
- Pre-setting screw and spacer tool for easy installation
- Robust and sturdy all metal construction
- Adjustable closing speed

Available in the following colours:



Fitting Dimensions



Gainsborough Hardware Industries Limited A.C.N. 004 792 269 A.B.N. 25 004 792 269

www.gainsboroughhardware.com.au

Head Office: 190 Whitehorse Rd, Blackburn, Victoria 3130
or PO Box 330, Blackburn, Victoria 3130

Telephone: (03) 9877 1555
Facsimile: (03) 9894 1599 Export Facsimile: (613) 9894 1038
E-mail: sales@gainsboroughhardware.com.au



Sales Hotline 13 14 18 Sales Fax Hotline 13 18 14

New South Wales	Suite 1B, 126 Taren Point Road TAREN POINT NSW 2229	Tel: (02) 9524 4855	Fax: (02) 9524 5670
South Australia	31 Lansdowne Terrace VALE PARK SA 5081	Tel: (08) 8342 3284	Fax: (08) 8342 3812
Tasmania	PO Box 330 BLACKBURN VIC 3130	Tel: (03) 9877 1555	Fax: (03) 9894 1522
Queensland	433 Logan Road STONES CORNER QLD 4120	Tel: (07) 3394 8323	Fax: (07) 3847 5444
North Queensland	Unit 1, 17 Camuglia Street MT LOUISA QLD 4814	Tel: (07) 4774 5124	Fax: (07) 4774 5292
Western Australia	12 Juna Drive MALAGA WA 6945	Tel: (08) 9209 2511	Fax: (08) 9209 2611
New Zealand	Unit 5E 269A Mt Smart Road Penrose AUCKLAND	Tel: 0064 9525 6970	Fax: 0064 9525 6982

Printed September 2004

The Gainsborough limited guarantee, shown on the pages within, applies only when properly installed and subjected to no more than fair wear and tear. This guarantee does not extend to labour costs, personal loss, death or injury or economic, consequential or property damage of any kind whatsoever. Due to the nature of the printing process, colours may vary from those shown in this brochure.