

EXIDOR

EMERGENCY EXIT HARDWARE



Combining attractive styling with quality engineering the Exidor Range of Emergency Exit Hardware offers Bolts, Pullman and Horizontal Catches, its own Mortice Latch and Actuators to give a solution for Emergency Exits.

By offering a number of accessories including various keep options, add-on Alarm and Dogging Device complements the range.

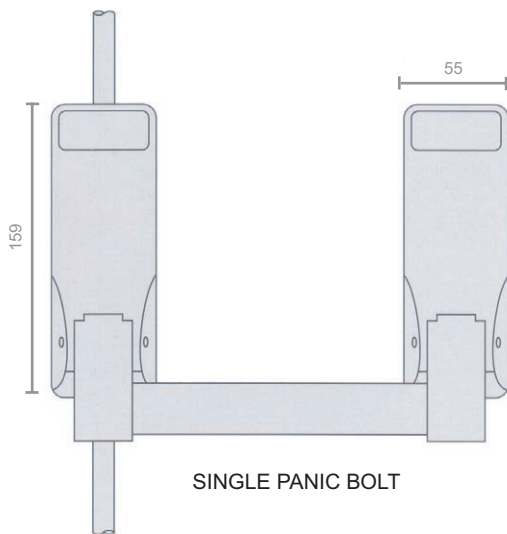
Gainsborough

EXIDOR

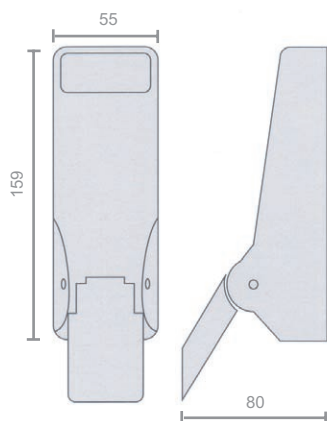
EMERGENCY EXIT HARDWARE

The Exidor Emergency Exit Hardware range contains products that are certified to the European CEN standards BS hEN 179 and BS hEN 1125 and offers a design to give optimum safety and security.

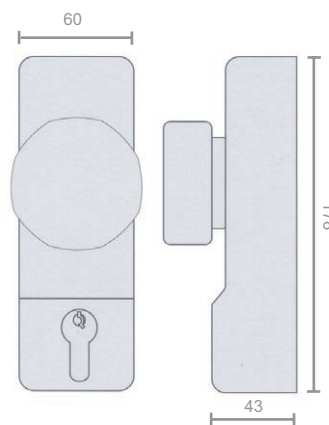
- Non-handed
- Can be micro switched to link into an Access Control System or Monitoring System
- Tested and Certified by Independent Test House
- CE marked for safety
- Certified for use on fire doors
- Double Door sets available
- Various keep options available for different door styles
- Anti-thrust mechanism to protect against attack
- Vertical and Horizontal Pullman Catches available
- Cylinder Mortice Night Latch Actuators available
- Standard Colours Silver, Gold, White or Black
- Available Brass or Stainless Steel Plated
- Available in most RAL finishes



SINGLE PANIC BOLT

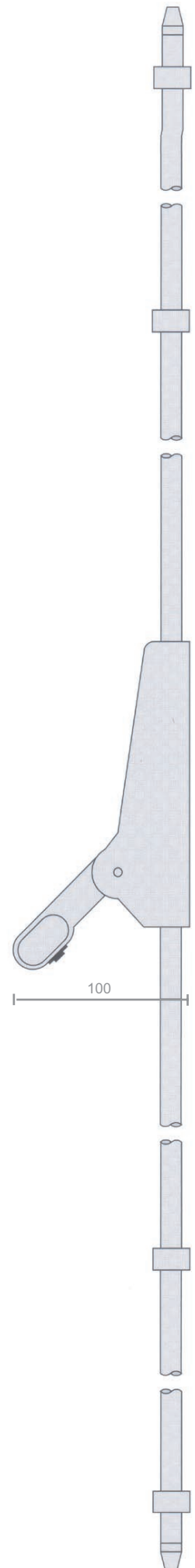


PUSH PAD PANIC LATCH



OUTSIDE ACCESS DEVICE

All measurements in mm



Cylinder Mortice Night Latch Actuators



Panic Latches



Single Panic Bolts



Double Door Sets



Outside Access Devices



Vertical and Horizontal Pullman Catches



Gainsborough



CONSTRUCTION

Main body and slave unit on all the units are die cast aluminium.

The panic bolts feature extruded aluminium guides; the internal shoots, shoot ends and shoots are of solid tubular steel.

FINISHES

A choice of epoxy powder coated finishes in silver, gold, white and black are available as standard, but many RAL and Hewi colours are available upon request. Plated finishes are also available.

FIXING

Surface mounted with full instructions and templates supplied with each unit.

STANDARD SIZES

Standard sized units are suitable for doors up to 2440mm high and 1220mm wide. Special sizes are available on request.

For full details and dimensions on all single and double doors sets to BS hEN 179 and BS hEN 1125 and other products available in the Exidor range refer to the product catalogue available upon request.

Gainsborough Hardware Industries Limited

Sales Hotline: 1300 361 077

Sales Fax Hotline: 1300 361 088

www.gainsboroughhardware.com.au