



**Finish**

Clear Anodised.

**Deadbolt**

Vee-cut for positive locking, 29mm projection.

**Backset**

23mm

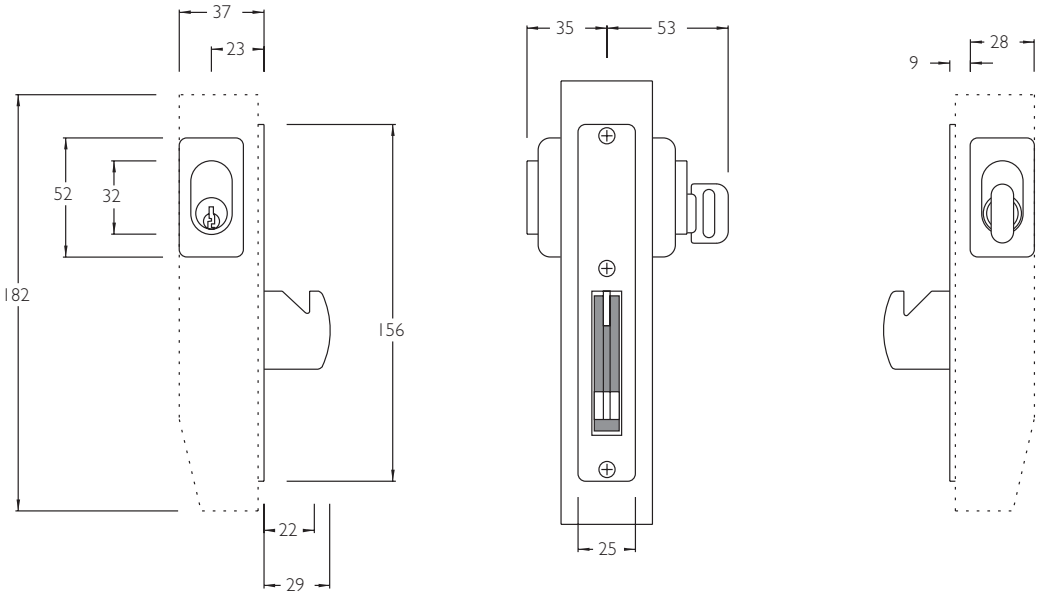
**Special Keying**

Each locking function can be specially keyed in a Gainsborough 6 pin tumbler system to meet the needs of commercial or residential building requirements. Locks can be keyed alike, master keyed, grand master keyed, maison keyed and project keyed – Refer to page 1.5 for details.

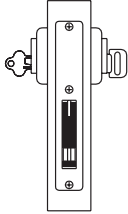
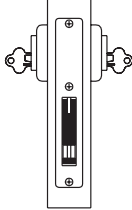
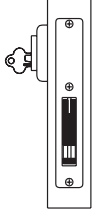
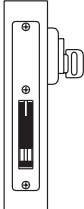
**2200 Series Cylinder Mortice Sliding Door Deadlock**

Narrow stile sliding door deadlock with a vee-cut deadbolt for positive engagement in strike when locked. The deadlock has a 29mm deadbolt projection.

**Limiting Dimensions**



### 2200 Series Cylinder Mortice Sliding Door Deadlock

PRODUCT	DESCRIPTION	CATALOGUE NO.
<p><b>Cylinder and Turnbutton</b></p> 	<p>Reversible</p> <p><b>29mm bolt projection.</b></p> <p>Key outside locks and unlocks.</p> <p>Turnbutton inside locks and unlocks.</p> <p>Non handed.</p>	<p><b>2212</b></p>
<p><b>Double Cylinder</b></p> 	<p>Reversible</p> <p><b>29mm bolt projection.</b></p> <p>Key either side locks and unlocks.</p> <p>Non handed.</p>	<p><b>2211</b></p>
<p><b>Single Cylinder</b></p> 	<p>Reversible</p> <p><b>29mm bolt projection.</b></p> <p>Cylinder can be installed either side.</p> <p>Key locks or unlocks.</p>	<p><b>2210</b></p>
<p><b>Single Turnbutton</b></p> 	<p>Reversible</p> <p><b>29mm bolt projection.</b></p> <p>Turnbutton can be installed either side.</p> <p>Turnbutton locks and unlocks.</p>	<p><b>2202</b></p>